

STATUS:
 DEVELOPMENT
 PRODUCTION

DRAWING REVISION RECORD				
REV	ECO#	DESCRIPTION	DATE	REV BY
01		CHANGE DRIVE CIRCUIT, NEW P/N CREATED	04-OCT-04	MG/DH
02		POP CKT ADDITION, ALL ECO'S THROUGH SCH-5445-G	17-MAY-05	D B
03		NEW GATE DRIVE	15-SEP-05	D B
04-A		DVT CHANGES, NEW PCB VERSION CREATED(SEE REDLINES)	02-DEC-05	D H

1495 TOP SMT WP1 1495-51669-01

1500 A LEVEL WP2 1500-51669-01

1505 C LEVEL WP3 1505-51669-01

SOH 1495-51669-04 REF: SCHEMATIC

PCB 1325-51669-04 BARE PCB OF THIS SCHEMATIC

X1

NOTES:
 2. ALL CAPS 20X TOLERANCE UNLESS OTHERWISE NOTED.
 1. ALL RESISTORS IN OHMS 1X TOLERANCE UNLESS OTHERWISE NOTED.

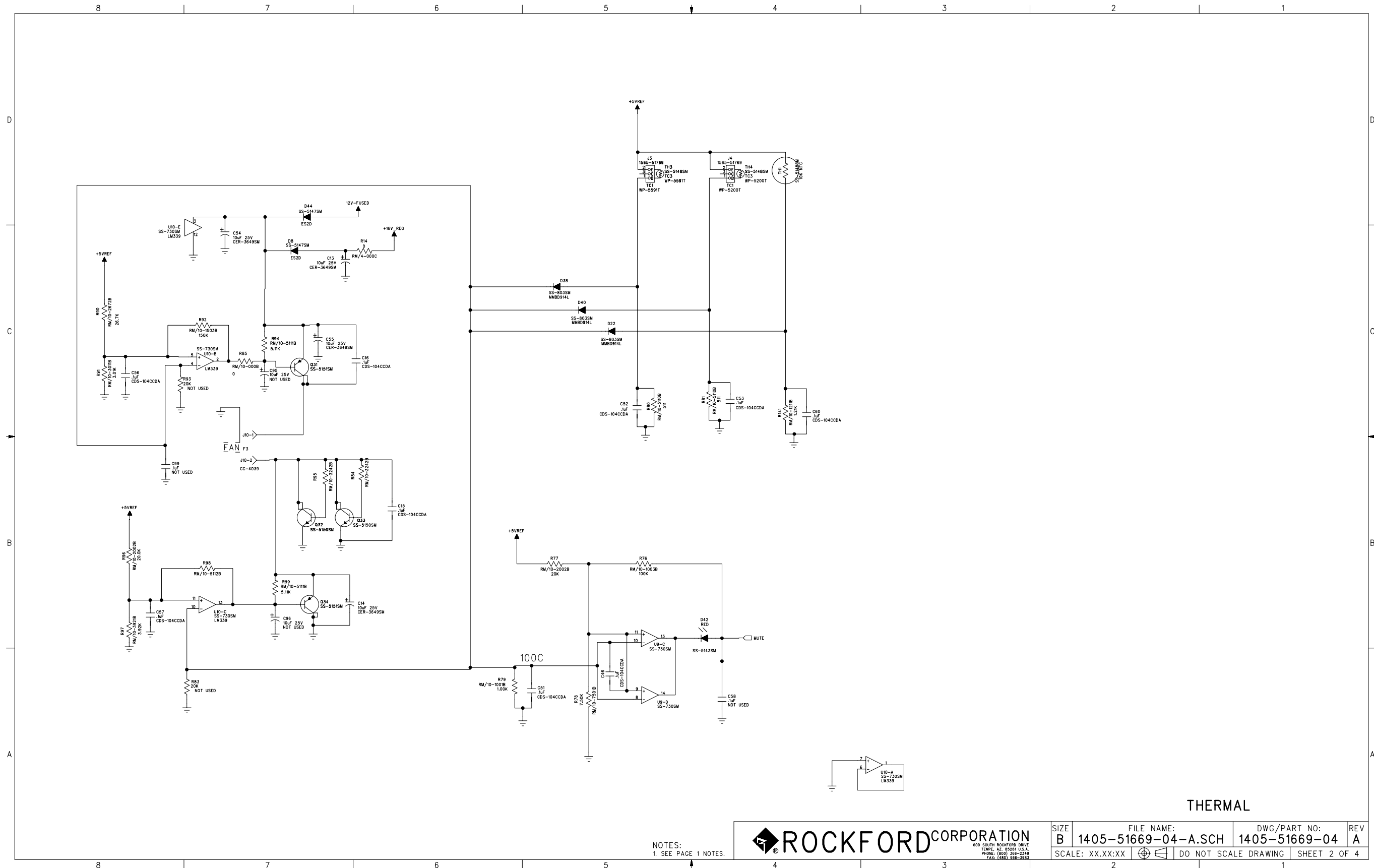
UNLESS OTHERWISE SPECIFIED:		SIGNATURES		DATE	
DIMENSIONS ARE IN INCHES.		DRAWN BY D. BAKER		19-JAN-04	
TOLERANCES ARE: X.XX +/- X.XX X.XXX +/- X.XXX ANGLES +/- 1° CONCENTRICITY +/- X.XX SURFACE FINISH		ELEC ENGR D. BAKER		19-JAN-04	
		MECH ENGR			
		PROD ENGR			
		SUPPLY CHAIN			

ROCKFORD CORPORATION
 400 SOUTH ROCKFORD DRIVE
 TEMPE, AZ 85281 U.S.A.
 PHONE: (800) 366-1349
 FAX: (480) 896-3882

DRAWING TITLE:
**2006 POWER T10001bd
 POWER SUPPLY**

SIZE	FILE NAME:	DWG/PART NO:	REV
B	1405-51669-04-A.SCH	1405-51669-04	A

SCALE: XX.XX:XX DO NOT SCALE DRAWING SHEET 1 OF 4



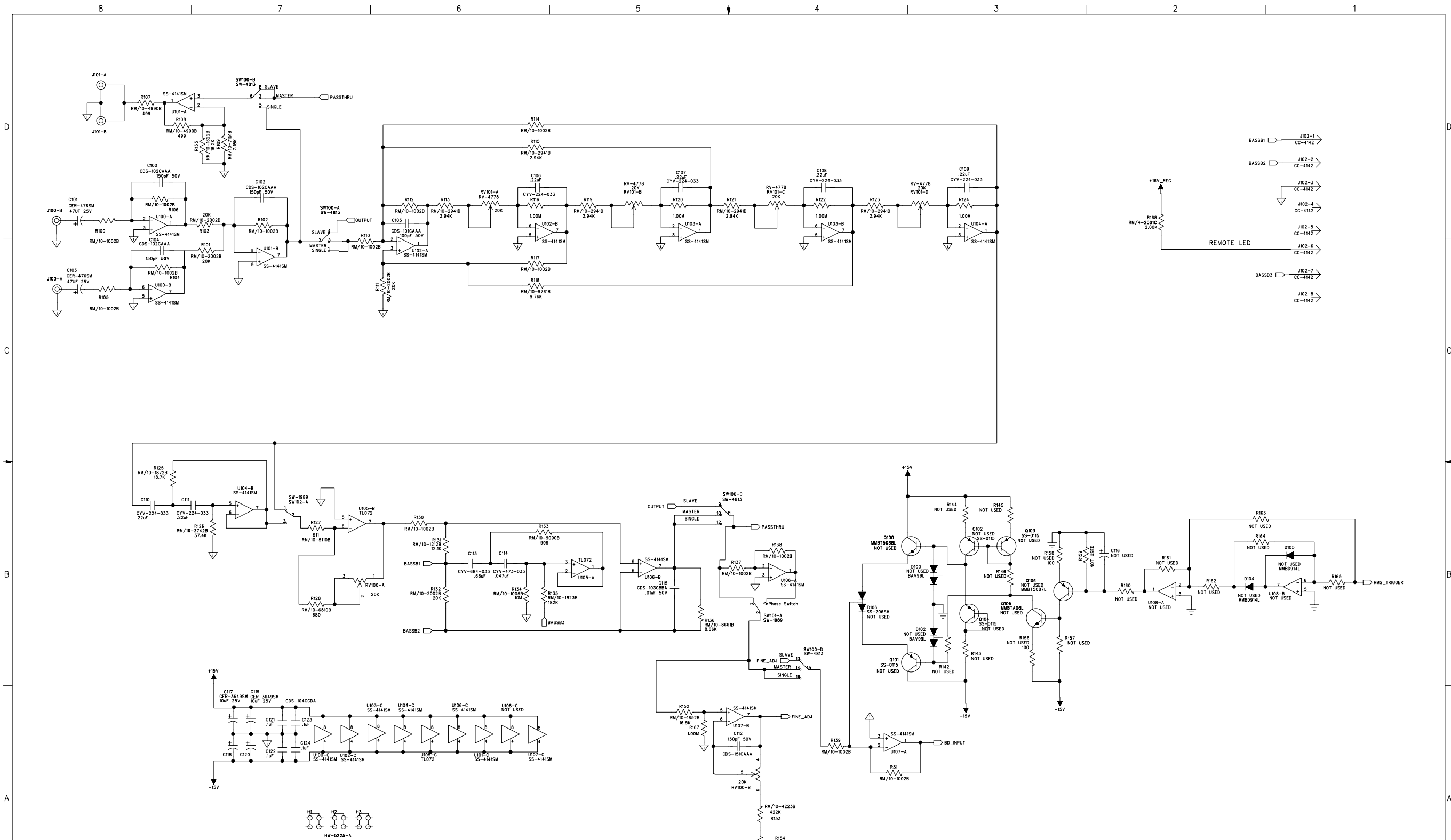
NOTES:
1. SEE PAGE 1 NOTES.



600 SOUTH ROCKFORD DRIVE
TEMPLE, TX 76788 U.S.A.
PHONE: (800) 346-2349
FAX: (480) 386-3883

THERMAL

SIZE	FILE NAME:	DWG/PART NO:	REV
B	1405-51669-04-A.SCH	1405-51669-04	A
SCALE: XX:XX:XX	DO NOT SCALE DRAWING	SHEET 2 OF 4	

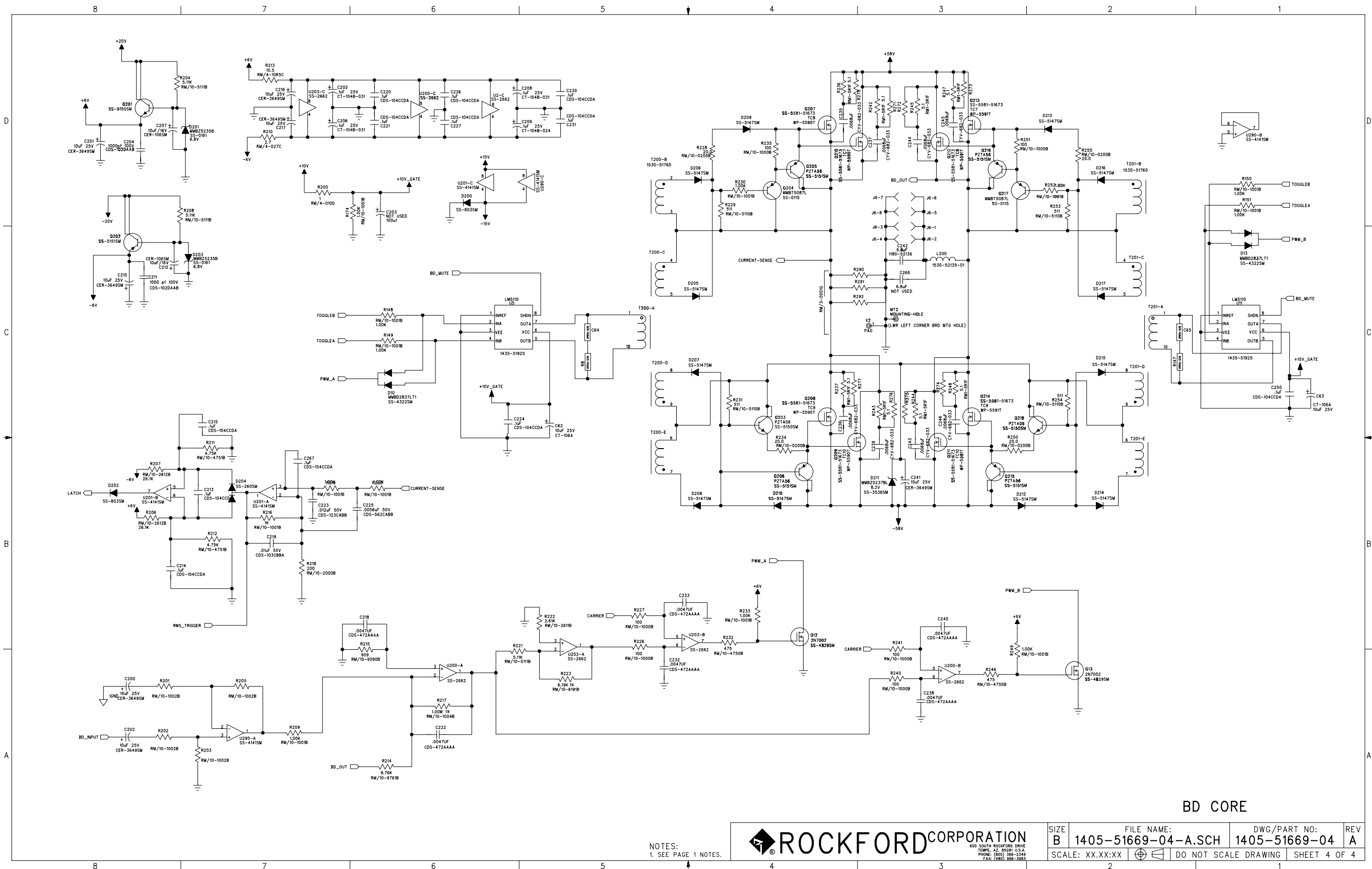


FRONT END

NOTES:
1. SEE PAGE 1 NOTES.



SIZE B	FILE NAME: 1405-51669-04-A.SCH	DWG/PART NO: 1405-51669-04	REV A
SCALE: XX.XX:XX	DO NOT SCALE DRAWING		SHEET 3 OF 4



BD CORE

NOTES:
1. SEE PAGE 1 NOTES.



SIZE B	FILE NAME: 1405-51669-04-A.SCH	DWG/PART NO: 1405-51669-04	REV A
SCALE: XX.XX:XX		DO NOT SCALE DRAWING	
			SHEET 4 OF 4