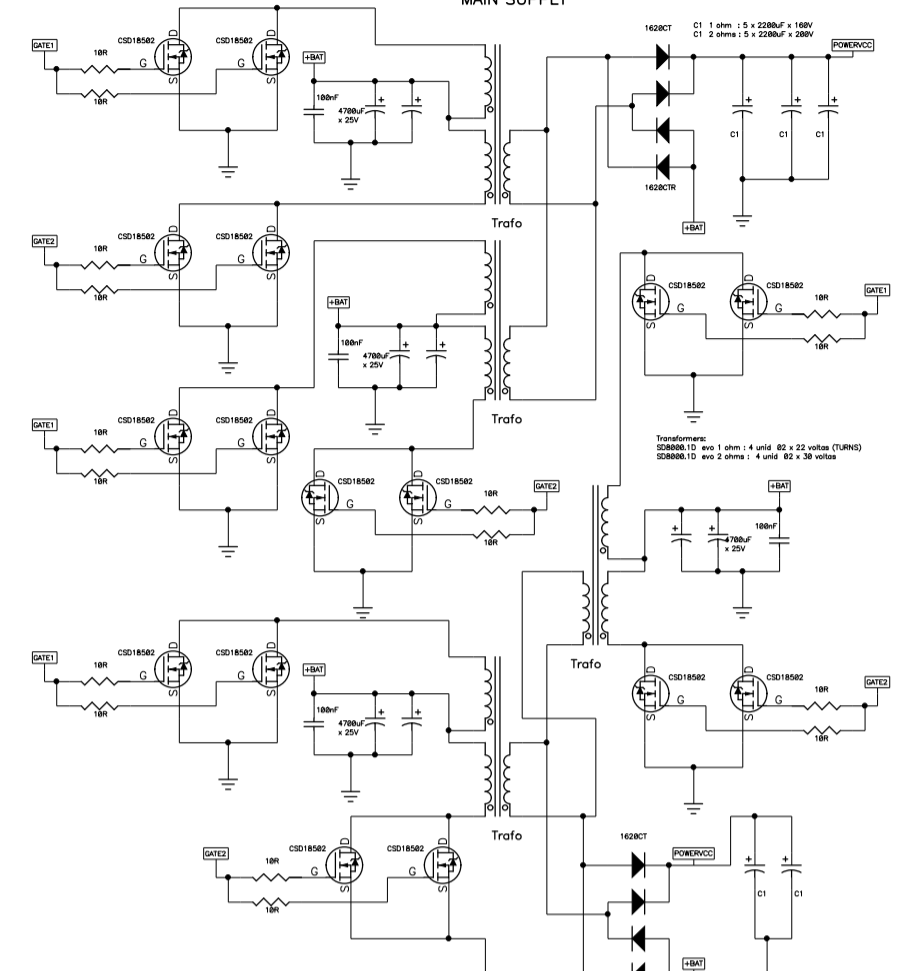
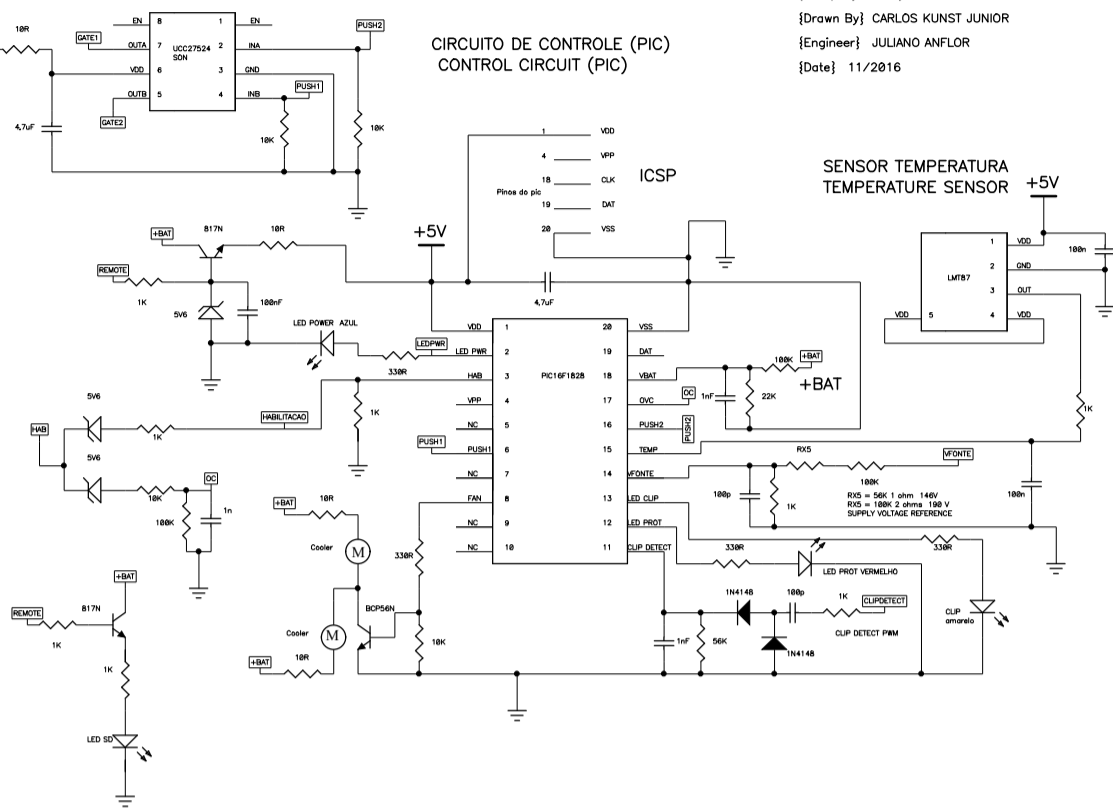


UCC27524
(driver mosfets fonte)
(DRIVER TO SUPPLY MOSFETS)

{Model} SDB000.1D_EVO_V 6.0
{Company Name} SOUNDIGITAL AMPLIFIERS
{Drawn By} CARLOS KUNST JUNIOR
{Engineer} JULIANO ANFLOR
{Date} 11/2016

FORNE PRINCIPAL
MAIN SUPPLY

CIRCUITO DE CONTROLE (PIC)
CONTROL CIRCUIT (PIC)



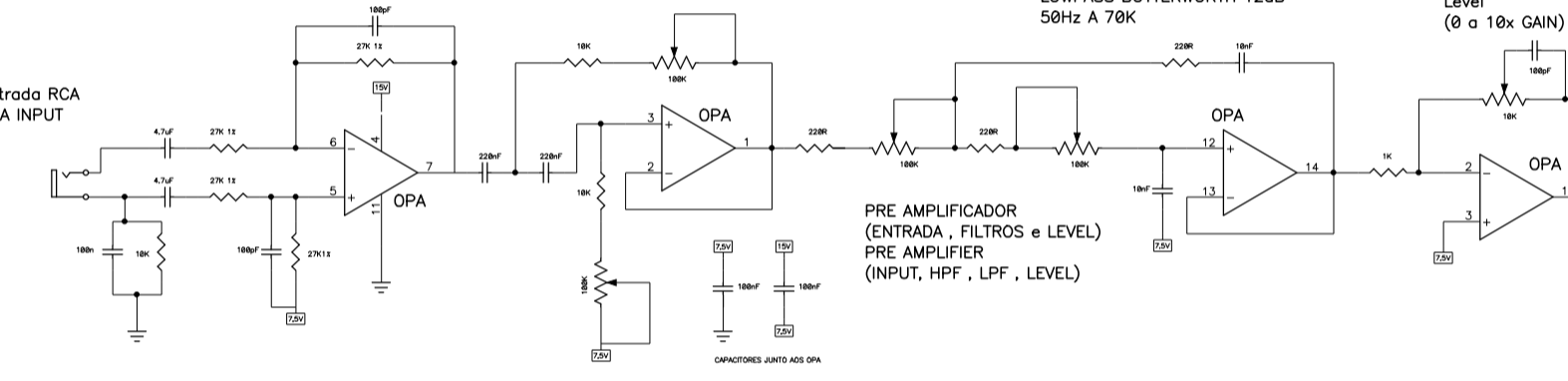
Entrada diferencial

HIGHPASS Buterworth 12dB
5Hz a 60Hz

LOWPASS BUTTERWORTH 12dB
50Hz A 70K

Level
(0 a 10x GAIN)

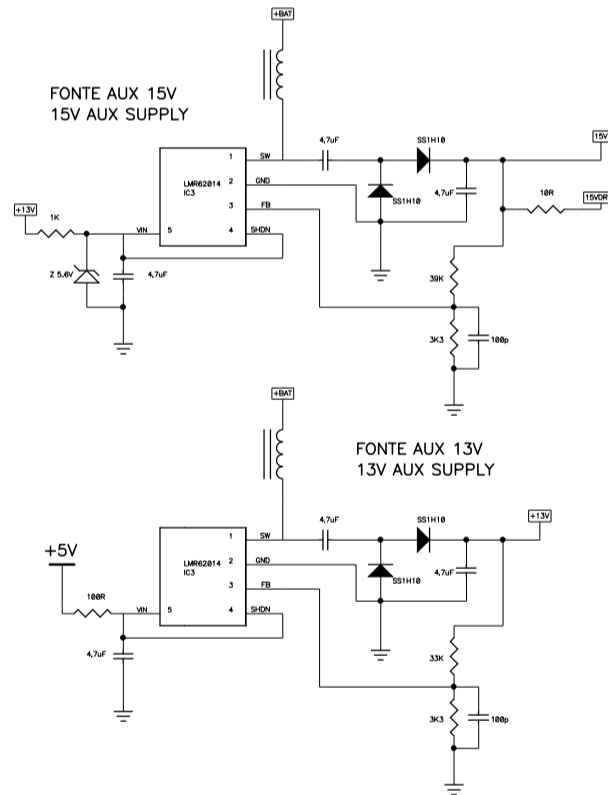
Entrada RCA
RCA INPUT



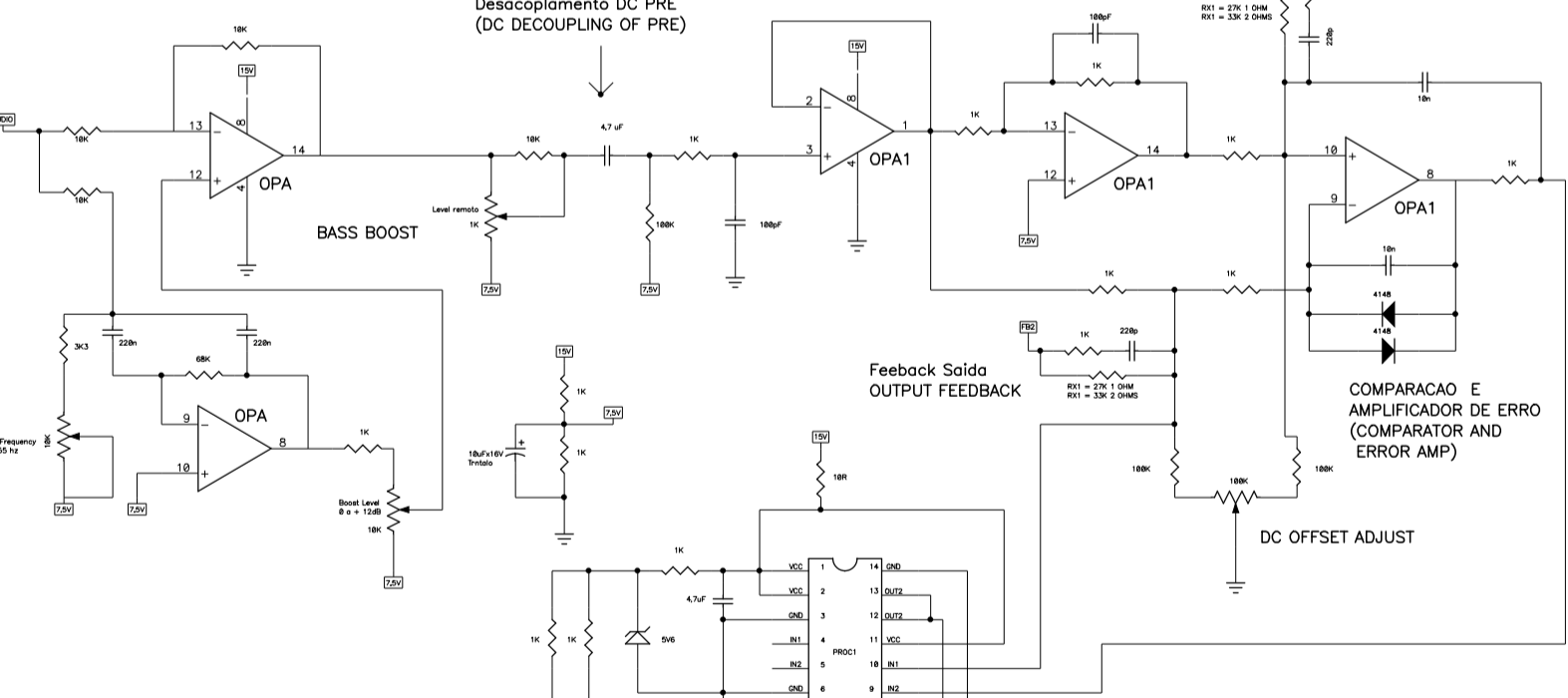
PRE AMPLIFICADOR
(ENTRADA, FILTROS e LEVEL)
PRE AMPLIFIER
(INPUT, HPF, LPF, LEVEL)

FORNE AUX 15V
15V AUX SUPPLY

FORNE AUX 13V
13V AUX SUPPLY



Desacoplamento DC PRE
(DC DECOUPLING OF PRE)



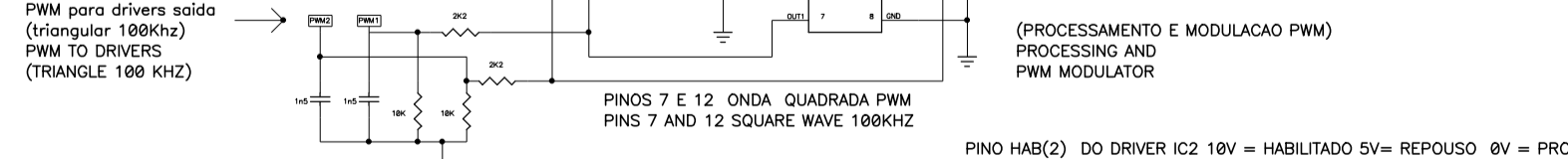
PWM para drivers saida
(triangular 100Khz)
PWM TO DRIVERS
(TRIANGLE 100 KHZ)

ETAPA DE SAIDA (output stage) Q2
1 ohm C1 RX2 = 2K2, RX4 = 3K3
2 ohms C2 RX2 = 2k2, RX4 = 3K3

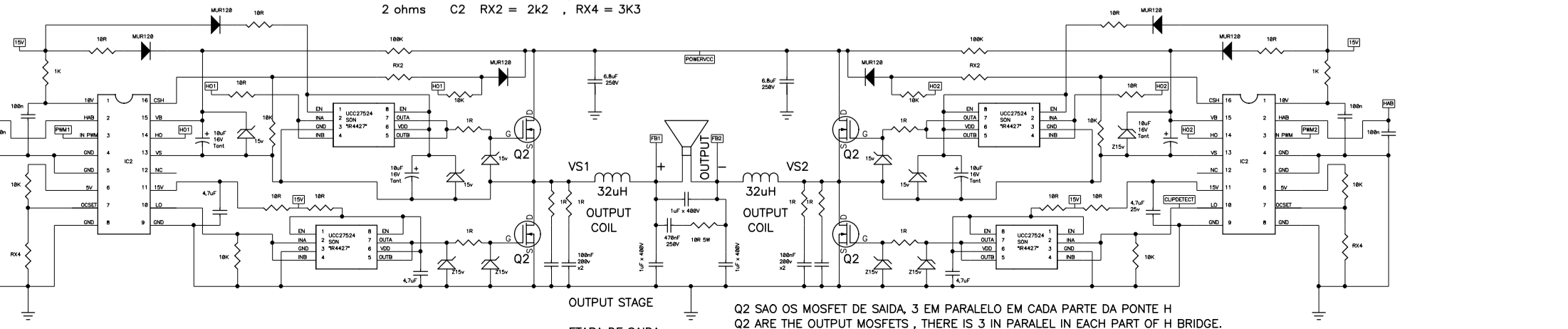
Feedback Saida
OUTPUT FEEDBACK

COMPARACAO E
AMPLIFICADOR DE ERRO
(COMPARATOR AND
ERROR AMP)

DC OFFSET ADJUST



PINO HAB(2) DO DRIVER IC2 10V = HABILITADO 5V = REPOUSO 0V = PROTEGIDO
PIN HAB (2) OF DRIVER IC2 10V= ENABLED 5V= IDLE 0V=PROTECTED



Q2 SAO OS MOSFET DE SAIDA, 3 EM PARALELO EM CADA PARTE DA PONTE H
Q2 ARE THE OUTPUT MOSFETS, THERE IS 3 IN PARALEL IN EACH PART OF H BRIDGE.